

**NL****Attentie**

Trek de gas slang van het mechanisme van het ZON MARK 4 knalapparaat. Voer deze door de draaikonus, No. 92126 en bevestig deze wederom met behulp van de bijgeleverde slangklem, No NH14.

**GB****Attention**

Pull the hose from the ZON MARK 4 scarecrow gun. Lead it through the rotation cone, part No. 92126 and connect it again by means of the delivered new hoseclamp, part No. NH14.

**D****Achtung**

Ziehen Sie den schlauch des ZON MARK 4 Knallschreckgerät. Führen diese durch den Drehkonus, No 92126 und befestige den Schlauch abermals mit Hilfe der mitgelieferten Schlauchklemme, No NH14.

**F****Attention**

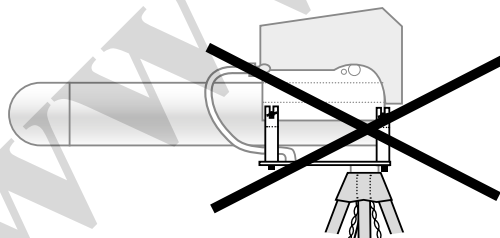
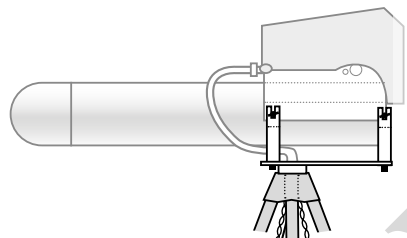
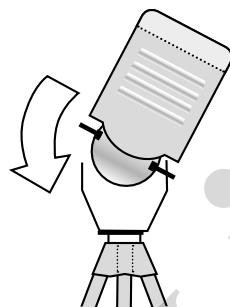
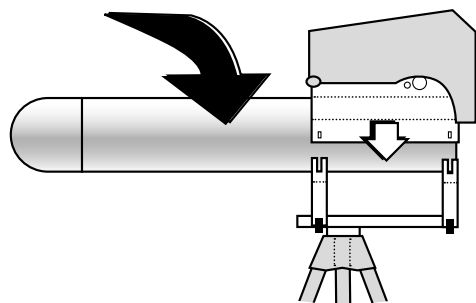
Tirez le tuyau de le ZON MARK 4 épouvantail. Le dirigez par piece no. 92126 et remonter avec la trappe du tuyau ci-inclus, piece no. NH14.

**I****Attenzione**

Estrarre il tubo flessibile del gas dal meccanismo del cannone per il controllo dei volatili ZON MARK 4. Infilare il tubo flessibile nel cono di articolazione, art. N. 92126, e ricollegarlo per mezzo della fascetta in dotazione, art. N. NH14.

**E****Atención**

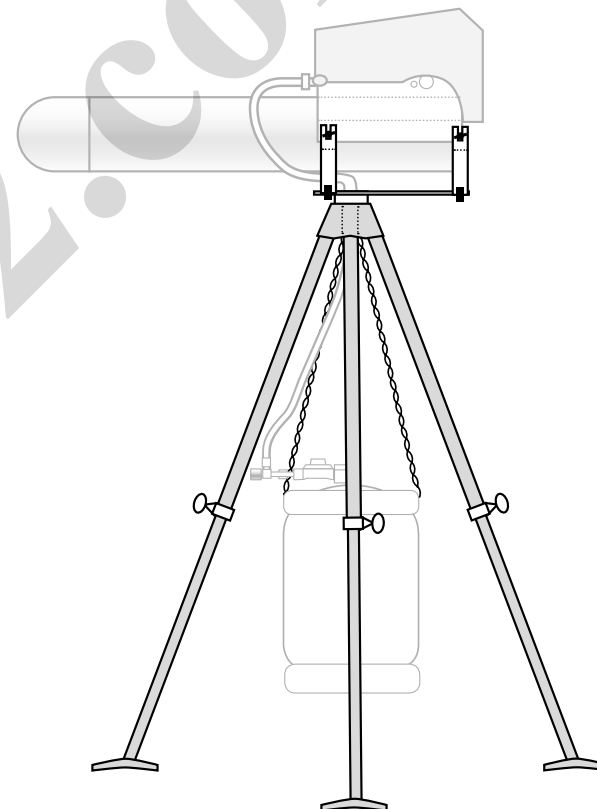
Tire del tubo flexible de gas del mecanismo del cañon espantapájaros ZON MARK 4. Conéctiela al cono pivotante, art. N° 92126. Y vuelva a conectar el tubo flexible empleando la abrazadera de lobo insluida, art. N° NH14.



# Pirouette

## ZON Mark 4

92006



**Gebruikershandleiding**  
**Operating instructions**  
**Betriebsanleitung**  
**Notice d'employ**  
**Istruzioni per l'uso**  
**Instrucciones para el manejo**

**NL** Maximale belasting pirouette: 50 kg.

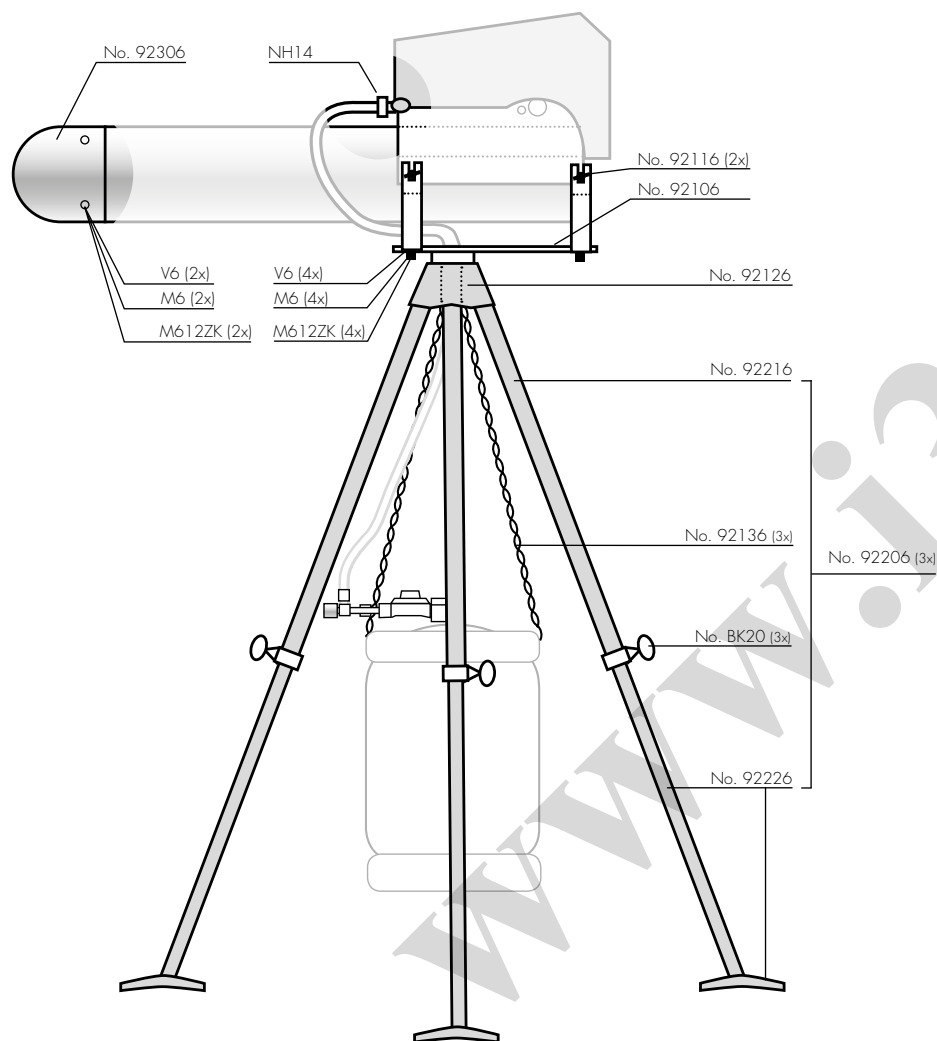
**F** Charge maximale pirouette 50 kg.

**GB** Maximum pirouette load: 50kg.

**I** Carico max. Piroetta: 50kg.

**D** Maximale belastung der pirouette: 50 kg.

**E** Carga máxima del dispositivo giratorio: 50 kg



## **NL** Onderdelenlijst Pirouette 92006

|        |                                  |
|--------|----------------------------------|
| 92106  | Steun compleet                   |
| 92116  | Bevestigingssteun                |
| 92126  | Draaiconus                       |
| 92136  | Ophangketting met S-haak         |
| 92206  | Buissteun compleet               |
| 92216  | Buitenbuis                       |
| BK20   | Buisklem ø20mm                   |
| 92226  | Binnenbuis + grondplaat compleet |
| 92306  | Bocht                            |
| NH14   | Slangklem                        |
| M612ZK | Zeskantbout M6x12                |
| M6     | Zeskantmoer M6                   |
| V6     | Veerring 6mm                     |

## **GB** Parts list Pirouette 92006

|        |                                    |
|--------|------------------------------------|
| 92106  | Support complete                   |
| 92116  | Fixsupport                         |
| 92126  | Rotation cone                      |
| 92136  | Hangchain with S-hook              |
| 92206  | Fixpipe complete                   |
| 92216  | Outer pipe                         |
| BK20   | Pipe clamp ø20mm                   |
| 92226  | Inner pipe + ground-plate complete |
| 92306  | Turning-cap                        |
| NH14   | Hose-clamp                         |
| M612ZK | Bolt M6x12                         |
| M6     | Nut M6                             |
| V6     | Washer 6mm                         |

## **D** Ersatzteil liste Pirouette 92006

|        |                                    |
|--------|------------------------------------|
| 92106  | Stütze komplett                    |
| 92116  | Befestigungsstütze                 |
| 92126  | Drehkonus                          |
| 92136  | Aufhängkette mit S-haken           |
| 92206  | Stützröhre komplett                |
| 92216  | Ausser Röhre                       |
| BK20   | Rohrklemme ø20mm                   |
| 92226  | Innen röhre + grundplatte komplett |
| 92306  | Drehkappe                          |
| NH14   | Schlauchklemme                     |
| M612ZK | Sechskantschraube M6x12            |
| M6     | Sechskantmutter M6                 |
| V6     | Sprengring 6mm                     |

## **F** Liste de pièces Pirouette 92006

|        |                                   |
|--------|-----------------------------------|
| 92106  | Support complet                   |
| 92116  | Fixation-support                  |
| 92126  | Cône de rotation                  |
| 92136  | Chain de pendre avec S-croc       |
| 92206  | Tube-support complet              |
| 92216  | Tube dedans                       |
| BK20   | Tube d'arrêt ø20mm                |
| 92226  | Tube dehors + Plaque de fondation |
| 92306  | Courbe                            |
| NH14   | Bague de serrage du luyau         |
| M612ZK | Vis M6x12                         |
| M6     | Ecrou M6                          |
| V6     | Rondelle 6mm                      |

## **I** Eleco dei componenti Pirouette 92006

|        |   |
|--------|---|
| 92106  | Telaio completo                         |
| 92116  | Staffa                                  |
| 92126  | Cono di articolazione                   |
| 92136  | Calena di sospensione con gancio a "S"  |
| 92206  | Telaio in tubo completo                 |
| 92216  | Tubo esterno                            |
| BK20   | Fascetta tubo, diam. 20mm               |
| 92226  | Tubo interno + piastra di base completa |
| 92306  | Gomito                                  |
| NH14   | Morsetto del tubo                       |
| M612ZK | Bullone M6x12                           |
| M6     | Dado M6                                 |
| V6     | Tondella 6mm                            |

## **E** Lista de piezas Pirouette 92006

|        |  |
|--------|--|
| 92106  | Bastidor completo                      |
| 92116  | Pedestal                               |
| 92126  | Cono pivotante                         |
| 92136  | Cadena de suspensión con gancho en S   |
| 92206  | Bastidor de tubo completo              |
| 92216  | Tubo exterior                          |
| BK20   | Abrazadera de tubo, 20mm de diámetro   |
| 92226  | Tubo interior + placa de base completa |
| 92306  | Codo                                   |
| NH14   | Abrazadera                             |
| M612ZK | Tornillo M6x12                         |
| M6     | Tuerca M6                              |
| V6     | Arandela 6mm                           |